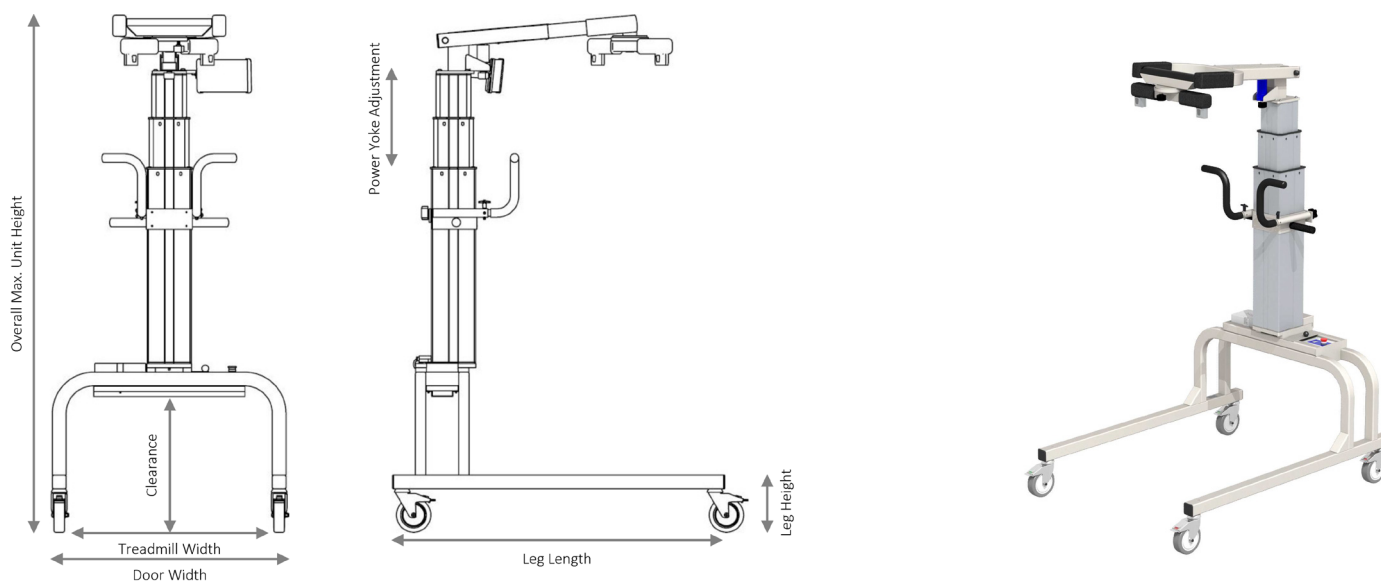


# LiteGait® LG800



Max. Patient Weight	200 kg	Base Options	Standard Base	81	76/81/86		
Max. Patient Height Over Ground		Base Dimensions			76	81	86
Over Ground	217		Treadmill Width		74	79	84
Max. Patient Height w/Treadmill			Door Width		89	94	99
Over Treadmill	202		Max. Base Footprint	97 x 123			
Yoke Adjustment			Clearance	54			
Powered	80		Leg Length	123			
Manual	N/A		Height (Floor to Top of Leg)	22			
Overall Unit Height	242		Caster Diameter	12.7			
			Shipping Dimensions	107 x 71 x 140 cm			
			Shipping Weight	125 kg	130 kg	135 kg	
			Power Requirements:	110V-240V 50/60Hz			

### LiteGait® Includes

Integrated Freedom	INCLUDED	Included Harness	1 Harness
BiSym	NOT AVAILABLE	Standard Adult	
Gaiter Stool	OPTIONAL		
3D Handlebar	INCLUDED		
Parallel Grab Bar	OPTIONAL	Q-Straps	OPTIONAL

Customization Available - Contact Mobility Research Sales Dept. for additional information  
Created: 12/12/2018

All dimensions subject to change  
Dimensions listed in cm/kg  
Treadmill step up height: 16 cm