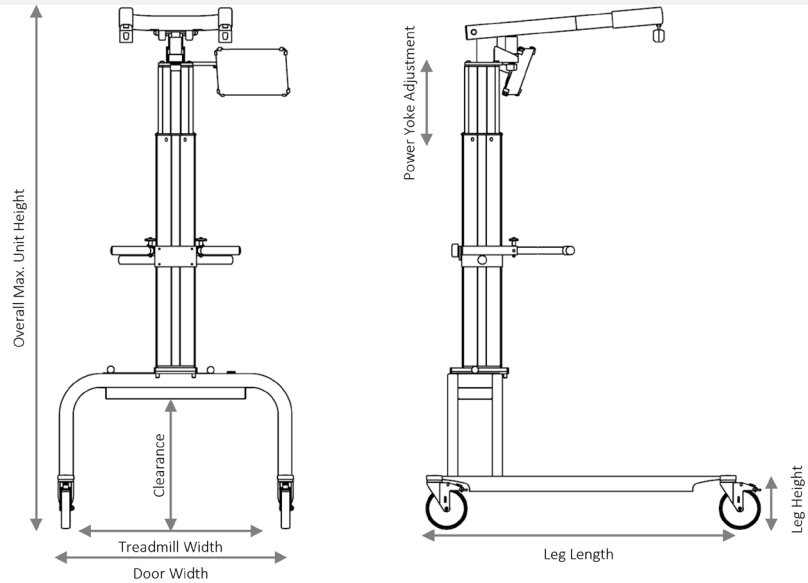


PRODUCT SHEET

LiteGait® LG150K



Max. Patient Weight	150 kg	Base Options	Standard Base	76	76/86
Max. Patient Height Over Ground		Base Dimensions		76	86
Over Ground	217	Treadmill Width		74	84
Max. Patient Height w/Treadmill		Door Width		89	99
Over Treadmill	202	Max. Base Footprint		97 x 115	
Yoke Adjustment		Clearance		48	
Powered	70	Leg Length		115	
Manual	N/A	Height (Floor to Top of Leg)		20	
Overall Unit Height	242	Caster Diameter		15.2	
		Shipping Dimensions		107 x 71 x 140 cm	
		Shipping Weight		120 kg	125 kg
		Power Requirements: 110V-240V 50/60Hz			

LiteGait® Includes			
Integrated Freedom	INCLUDED	Included Harness	1 Harness
BiSym	OPTIONAL	Standard Adult	
Gaiter Stool	OPTIONAL		
3D Handlebar	INCLUDED		
Parallel Grab Bar	OPTIONAL	Q-Straps	INCLUDED

Customization Available - Contact Mobility Research Sales Dept. for additional information
Created: 12/12/2018

All dimensions subject to change
Dimensions listed in cm/kg
Treadmill step up height: 16 cm